

## POWER SUPPLY/BATTERY-CHARGER SERIES CPS

The present recommendations for the navigation aids state that the signals working from 220 Volts mains, should function without interruption even in case of mains failure.

What is therefore needed is an instrument that apart from transforming the current from 220 Vac to 12 Vdc and correctly supplying the lanterns, can maintain one or more batteries always at full charge so that they can intervene in case of mains failure.

**The power supply/battery chargers series CPS** have been designed by Cosema to satisfy these requirements.

These instruments incorporate a voltage probe that disconnects the lantern from the batteries if, due to a persistent lack of current, their voltage drops below 11 Volts thus avoiding their irreversible damage; the connection will be automatically resumed as the voltage is restored.

In this case the circuit is called in to operate its double function:

- to feed the lantern (**power supply**)
- to fully recharge the batteries (**battery-charger**).

The series CPS include the following models:

- CPS2** – complete with a small internal floating battery.
- CPS3** – able to feed an external floating battery with a current up to 5 Amp.
- CPS5** – able to feed an external floating battery with a current up to 10 Amp.

Upon request models able to operate with a current up to 30 Amp. can be supplied.

The circuits are housed in a box in resin that includes a panel with a voltmeter and an ampere-meter that indicate respectively the voltage and the current given by the power supply, two fuses for protection, the switch on-off and the indicator lamp.

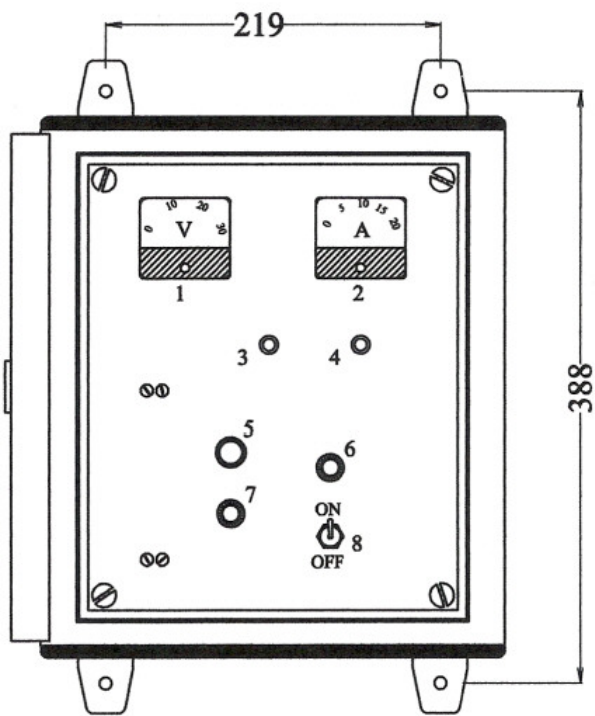


**CPS3 with a 115Ah. floating battery and CSN2 hot galvanized steel box.**

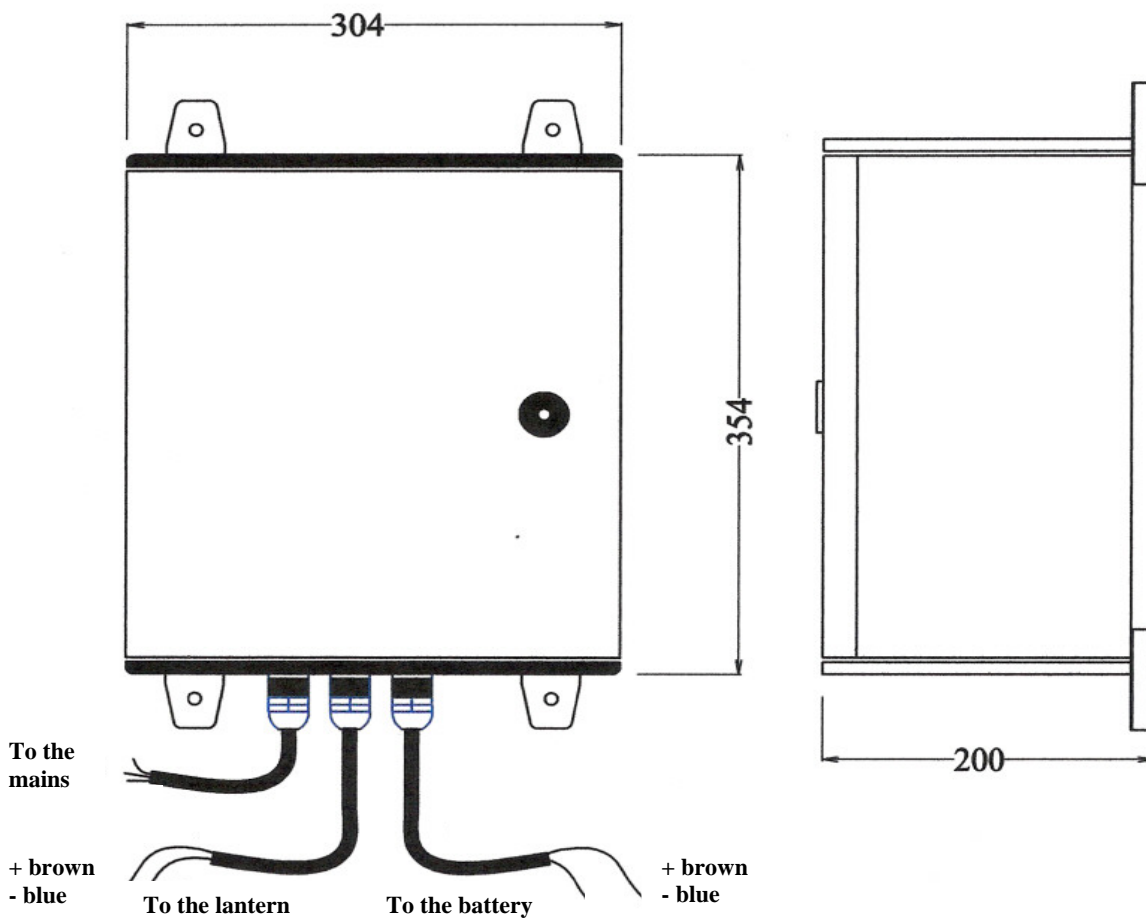
Two LEDs are mounted on the panel:

- red LED** – it switches on if the battery voltage drops below the minimum threshold of 11 Volts.
- green LED** – it switches on when the battery is completely charged.





- 1- voltmeter
- 2- ampere-meter
- 3- red LED
- 4- green LED
- 5- indicator lamp
- 6- fuse
- 7- fuse
- 8- switch on-off



COSEMA reserves the right to modify the characteristics of their products without previous notice