

FE 155 MARINE LANTERN

The **FE 155 Lanterns** function at 220V. directly off the mains.

They have two main advantages over the old lantern with moulded glass lens:

-**the coloured acrylic lens** that avoids the use of filters that fade;

-**the solid state sunswitch** incorporated into the lantern that eliminates external photocell systems.

This type of lantern is mainly used for signaling in ports of minor importance, where it is possible to use the mains because a guarantee of continuity is not required.

The **polycarbonate hot moulded base** is very robust and practically indestructible. The base can be opened by means of knobs that allow a rapid and easy access to the inner part, while the "O" ring gaskets assure a high degree of protection.

The inner part is available in 2 versions:

Flasher FE220Vac with a E27 lampholder and a single longlife 220 volts lamp with a life expectancy of 5000 hours.

Flasher CSF220Vac with an output of 12 Vdc and able to operate:

-**4 place automatic lampchanger** that places a new lamp at the focal center of the lens automatically when the operating lamp burns out. Furthermore, when all lamps are exhausted, the lampchanger re-controls each one several times making complete revolutions to search for a possible functional lamp before disconnecting.

-**6-place automatic lampchanger** with same performance as previous lampchanger but having 6 lamps that assure a much longer functional period and ideal for a steady burn light that has a greater consumption of lamps.

Control circuits are completely static and are able to generate any type of flash characteristic required by standards or even particular requirements outside normal specifications.

Sun switch always included, assures the functioning only when necessary.



FE155 Marine Lantern with E27 lampholder and single 220V. lamp.



TECHNICAL DATA

LENS

Methacrylate lens of 155 mm diameter, in one whole body in the colours red, clear, amber or green; visibility 360°.

FLASHER:

CSF 220Vac- input 220Vac output 12Vcc for lamps upto 10W.

FE 220 Vac- input 220Vac output 220Vac for lamps up to 100W.

LAMPCHANGER

6 to 24V, 4 or 6 lamps and final disconnection. Rotation consumption 0,2A; no consumption while at stop.

LAMPHOLDER

Ceramic E27 for 220 volts lamps.

LAMPS:

12Vcc

C8S8 single filament (P30s).

C8 halogen (P30s)

220Vac

Longlife (E27)

ASSEMBLY FLANGE

n.4 holes 16 mm diameter on 200 mm PCD.

WEIGHT

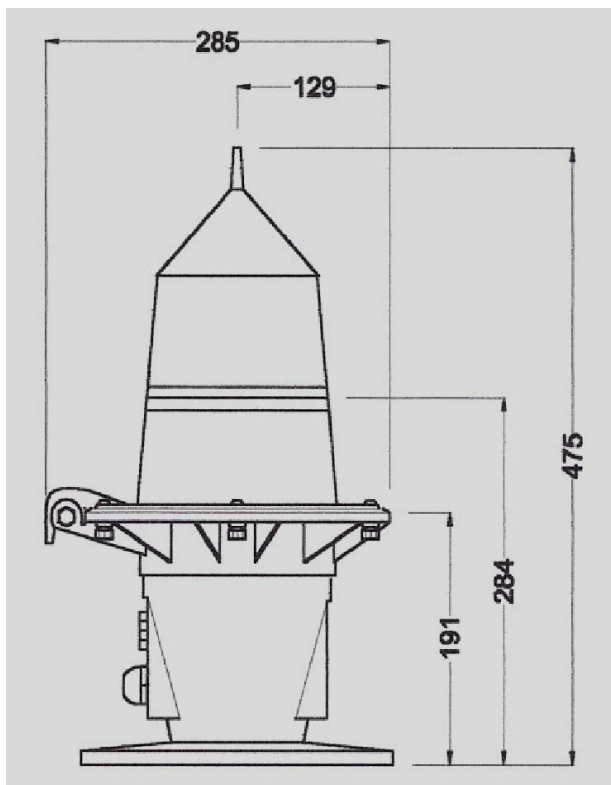
Net weight : Kg. 3,8

Shipping weight : Kg. 5,3

Shipping dimensions : cm. 30 x 30 x (h) 60



4 PLACE LAMPCHANGER



Luminous range in nautical miles

Lamps 12V.-C8	Clear light	Amber light	Green light	Red light
12V 0.25A	4.4	4.0	3.0	3.0
12V 0.55A	5.4	4.8	3.8	3.8
12V 0.77A	5.8	5.2	4.1	4.1

Lamps 12V. Halogen

12V 10W	6.1	5.5	4.4	4.4
---------	-----	-----	-----	-----

Lamps 220Vac

25W	5.2	4.6	3.6	3.6
40W	6.3	5.6	4.6	4.6
60W	7.0	6.4	5.1	5.1
100W	8.4	7.7	6.3	6.3