



CSL 227 LAMPCHANGER

Automatic Lampchangers CSL 227 are standard accessories for all Cosema lanterns and may also be employed in other types of lanterns having an internal lens diameter greater than 155 mm.

Lamp focal height of **the Cosema CSL 227 lampchanger** is 146 mm as specified by US Coastguard and used by most international manufacturers. Both the 4 place and 6 place units will swing lamps with either S8 or S11 envelopes.

Lamps with a single contact, pre-focus base to BS5101 (IEC1.1-1-1969) are mounted on a rotating carriage; when one lamp fails the carriage rotates until the next lamp is in the operating position. Lamp failure is detected automatically, regardless of ambient light levels using "CMOS" integrated circuits which, via a voltage regulator, control the carriage drive motor.

The design of **the motor** is unique; it utilises a permanent magnetic field and therefore has no arcing contacts or large inductive voltages.

An automatic disconnect function is built into the "CMOS" logic circuit and this device will limit operation of the stepping motor after the turret has made two complete revolutions searching for a usable lamp.

After relamping, circuitry automatically resets to a duty position and the lamp will flash upon operation of the photocell.

The CSL 227 lampchanger is reverse polarity protected as a standard feature. All contacts are gold plated and corrosion resistant materials are used throughout to assure maximum reliability.

The in-built electronics continually monitor filament state of the duty lamp, without the need for external control. As a "stand alone" unit, the CSL 227 lampchanger is a universal device able to operate with a number of other manufacturers' flashers.

The CSL 227 lampchanger has a smooth rotating action which prevents shock to the lamp filament, thereby avoiding premature failure of small wattage lamps.



4 PLACE MODEL

Accurate positioning of the lamp at the critical point of focus with positive location, is always assured. Low profile frame ensures minimum shadowing of the operating lamp.

Optional features available for the Cosema lampchanger include last lamp sensor for remote monitoring and custom mounting brackets to suit most internationally available marine lanterns.



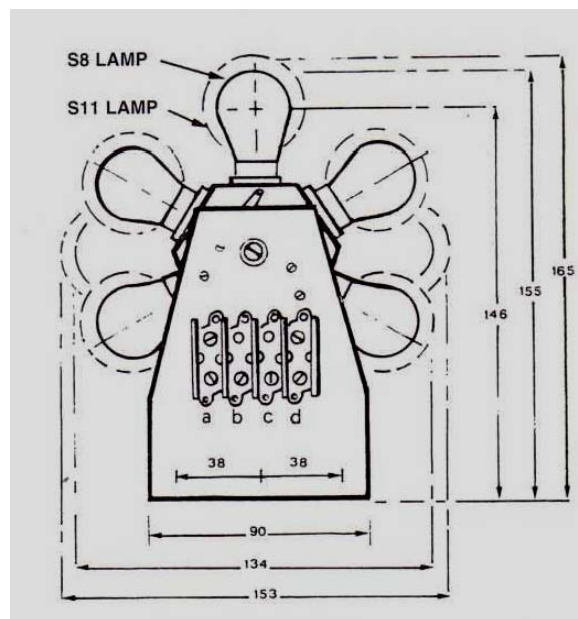
CO. SE. MA.

NAVIGATION AIDS
Via Campania, 29
61100 PESARO - ITALY
Tel. (0039) 0721 455 337
Fax. (0039) 0721 456 568

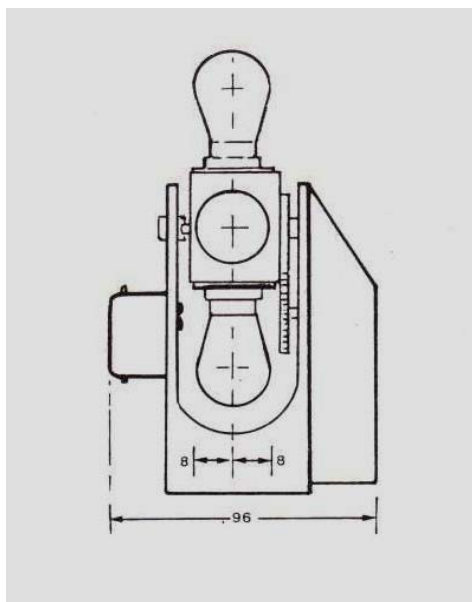


TECHNICAL DATA

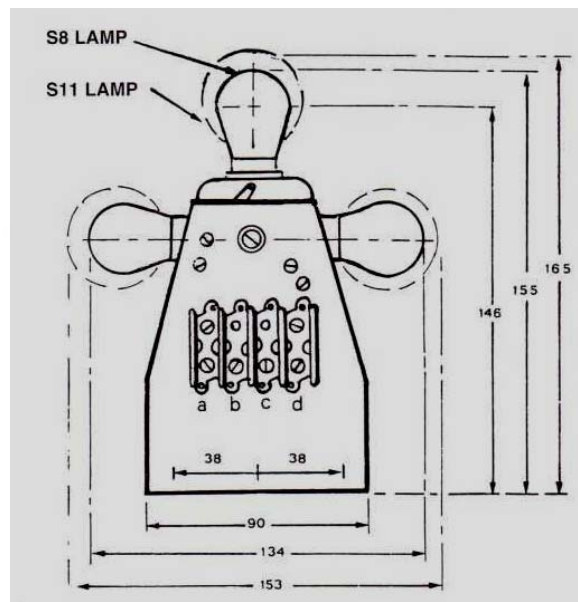
Voltage:	6 to 24 Volt DC
Consumption:	5 mA during flash, 220 mA when changing lamps
Capacity:	4 or 6 S8 or S11 single contact pre focused base lamps
Application:	For use in lenses having an internal diameter greater than 155 mm
Temperature:	-40° + 60°
Materials:	Moulded nylon frame and cover
Connections:	b F1 (Lamp -) c + (Lamp +)
Lamp contacts:	Gold plated
Focal height:	146 mm. (Internationally accepted standard))
Net weight:	0.3 Kg.



MAX. TURNING DIMENSION
6 PLACE LAMPCHANGER



LAMPCHANGER – SIDE VIEW



MAX. TURNING DIMENSION
4 PLACE LAMPCHANGER