

CS 155 MARINE LANTERN

The **CS155 Lantern** has been designed for medium ranges having all the advantages of being rugged, compact and lightweight. The versatility of this lantern is quite considerable, rendering service either for temporary signals or for permanent installations on a larger scale.

The **polycarbonate hot moulded base** is very robust and practically indestructible. The base can be opened by means of knobs that allow a rapid and easy access to the inner part, while the o-ring gaskets assure a high degree of protection.

The **methacrylate lens**, stabilized U.V., thanks to the high degree of transparency gives greater optical output than the moulded glass lenses and thanks to the particular fresnel profile, focuses the light through a horizontal plane maintaining a divergency that allows its installation even on floating and rolling structures such as buoys and elastic beacons. It is possible to screen the lens to obtain directional signals.

The inner part is available in 3 versions:

Double filament lampholder has a special double filament lamp. When the primary filament burns out the power supply is switched automatically to the secondary filament to provide continuity of operation. A small LED flashes in unison with the secondary filament only.

Automatic 4-place lampchanger places a new lamp at the focal center of the lens automatically when the operating lamp burns out. Furthermore, when all lamps are exhausted, the lampchanger re-controls each one several times making complete revolutions to search for a possible functional lamp before disconnecting.

Automatic 6-place lampchanger with same performance as previous lampchanger but having 6 lamps that assure a much longer functional period and ideal for a steady burn light that has a greater consumption of lamps.

Control circuits are completely static and are able to generate any type of flash characteristic required by standards or even particular requirements outside normal specifications.

Sun switch always included, assures the functioning only when necessary.



TECHNICAL DATA

LENS

Methacrylate lens of 155 mm diameter, in one whole body in the colours red, clear, amber or green; visibility 360°.

FLASHER

6 to 24V nominal, solid state, any flashing characteristic or steady burn.

LAMPCHANGER

6 to 24V, 4 or 6 lamps and final disconnection. Rotation consumption 0,2A; no consumption while at stop.

DOUBLE FILAMENT LAMPHOLDER

Solid state circuit for immediate switchover and automatic reset; a small LED flashes in unison with the secondary filament only.

LAMPS

C8S8 Single filament (P30s).

C8S11 Double filament (P30d).

C8 Halogen (P30s).

ASSEMBLY FLANGE

n.4 holes 16 mm diameter on 200 mm PCD.

WEIGHT

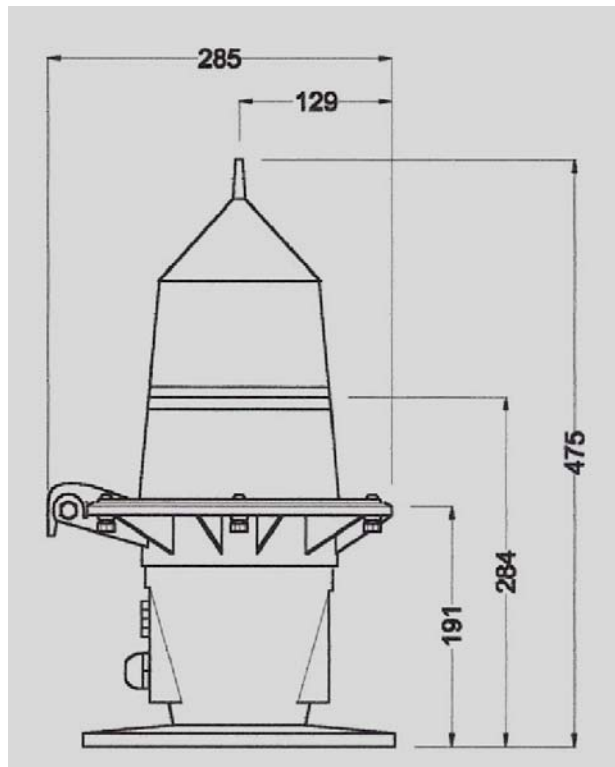
Net weight : Kg. 3,8

Shipping weight : Kg. 5,3

Shipping dimensions : cm. 30 x 30 x (h) 60



CS155 Lantern with solar panel



INTENSITY IN CANDELAS FOR WHITE LIGHT

Lamps C8	S.F.	D.F.
6V 0.25A	30	25
6V 0.46A	80	-
6V 0.70A	100	-
6V 0.92A	120	-
12V 0.25A	50	45
12V 0.55A	100	90
12V 0.77A	130	-
12V 1.15A	225	-
12V 2.03A	460	-
12V 3.05A	630	-

Lamps Halogen

12V 10W	160	-
12V 20W	550	-
12V 35W	850	-
12V 50W	1150	-

For red or green lens multiply above value by 0,30
For yellow lens multiply above value by 0,68